

TOW PIN / STERN ROLLER

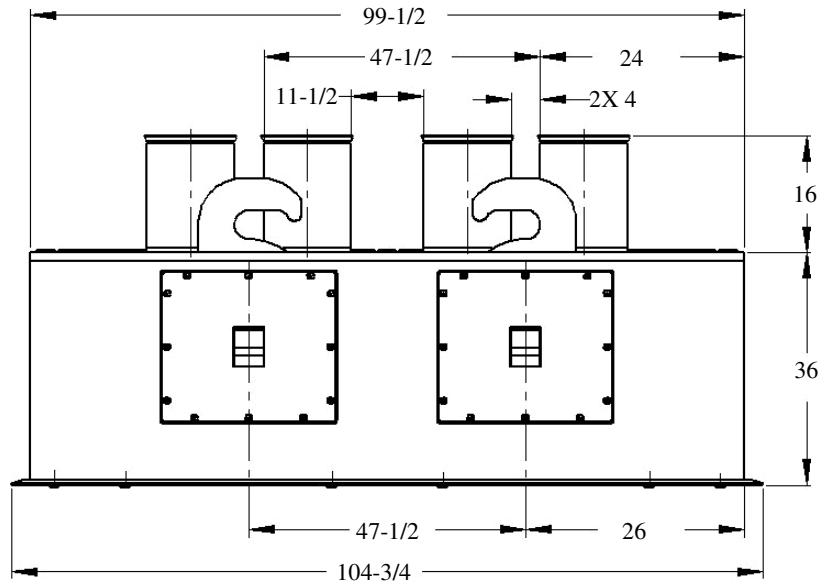
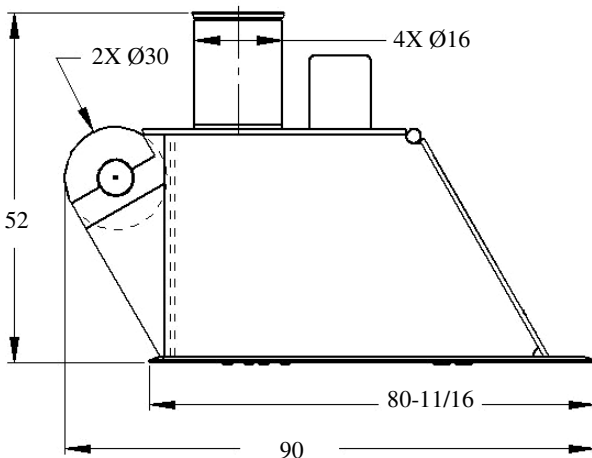
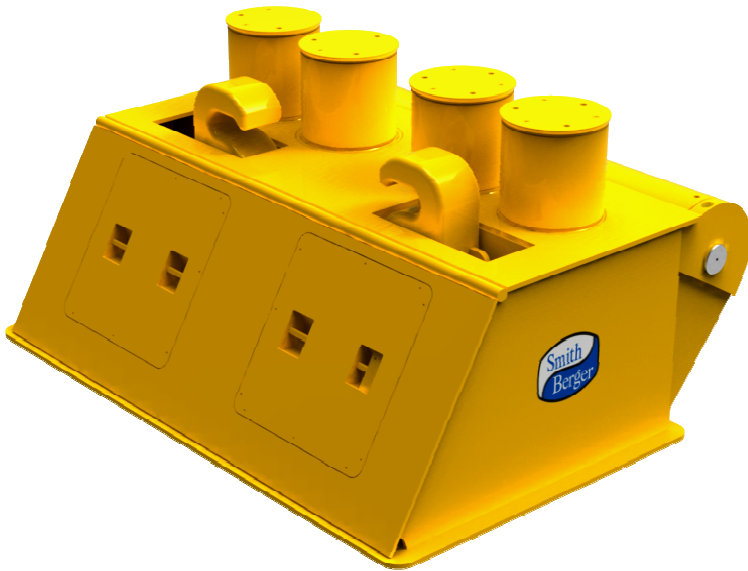
MODEL 16T430-2HD

STANDARD FEATURES

- Designed for the Breaking Strength of $\varnothing 2\text{-}3/4\text{'}$ Wire Rope (722,000 Lbs) with 45° of Wrap on Pin and 35° Upward Lead from Hook.
- Heat Treated Vertical Rollers with Grease Lubricated Bronze Bearings
- Furnished with Marine Grade Hydraulic Cylinders w/ Stainless Steel Rods and Synthetic Bushings
- Hydraulic Power Unit and Remote Control Panel
- Marine Paint System
- Every unit is functionally tested at the factory.

OPTIONAL FEATURES

- Mounting Frames Customized to Suit any Vessel
- Local Controls
- Load Tests
- Third Party Certification



WEIGHT: 18850 LBS

* DIMENSIONS SUBJECT TO CHANGE WITHOUT NOTICE*

Smith Berger Marine, Inc. - Mooring & Towing Solutions

7915 10th Ave. S., Seattle, WA 98108 USA

Tel. 206.764.4650 - Toll Free 888.726.1688 - Fax 206.764.4653

E-mail: sales@smithberger.com - Web: www.smithberger.com